

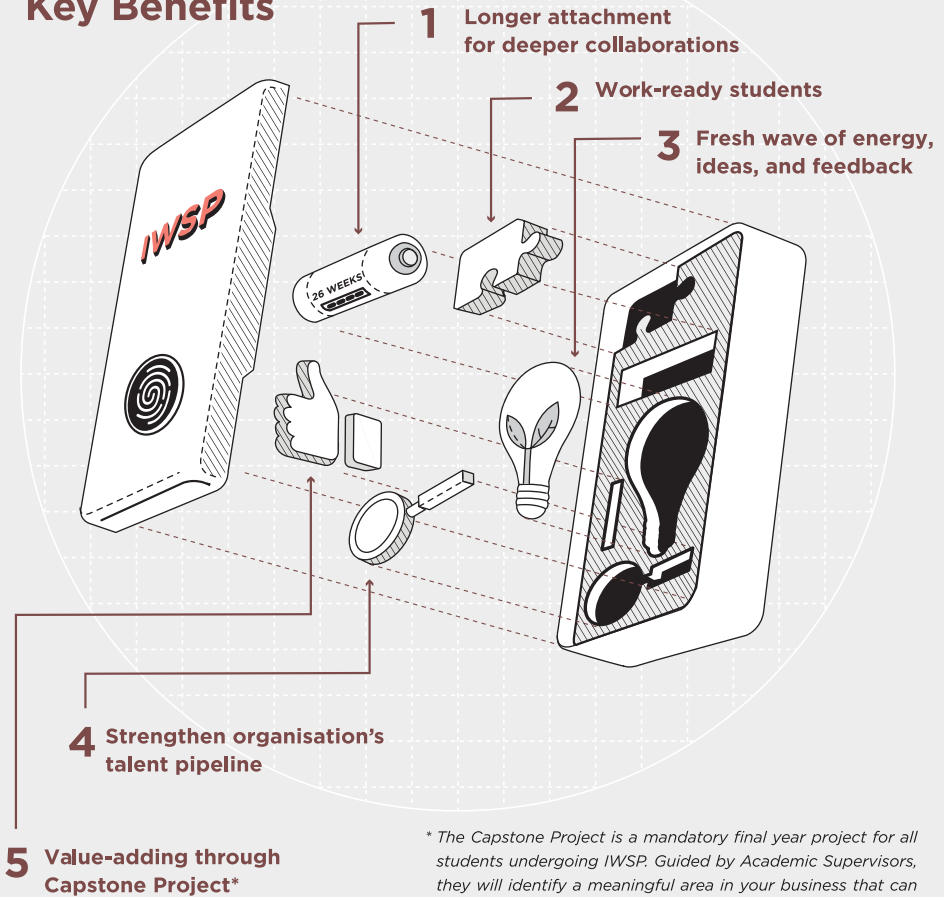
BRINGING THE RIGHT PEOPLE TOGETHER

Integrated Work Study Programme

At the Singapore Institute of Technology (SIT), which is the **University of Applied Learning**, our students stand out because we prepare them to be **industry-ready professionals**.

The **Integrated Work Study Programme (IWSP)** is a distinctive feature of our degree programmes that invites industry partners like yourself to engage in a holistic partnership encompassing education, workplace learning, and employment.

Key Benefits



** The Capstone Project is a mandatory final year project for all students undergoing IWSP. Guided by Academic Supervisors, they will identify a meaningful area in your business that can be improved and develop solutions as part of the project.*

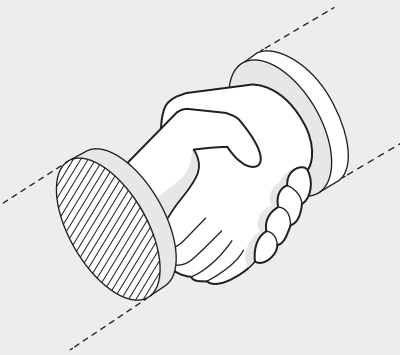
This presents an opportunity for the graduating students to continue working closely and build their professional relationship with you even after IWSP. The findings and recommendations will be made available to you at no cost.

A REWARDING COLLABORATION

IWSP redefines the traditional internship model through a few key qualities. Lasting between **8 to 12 months**, IWSP's immersive nature will enable our students to integrate classroom knowledge

with **real world application**, and be productive counterparts who can **value add** to your company during and beyond the work attachment period.

As an IWSP Employer

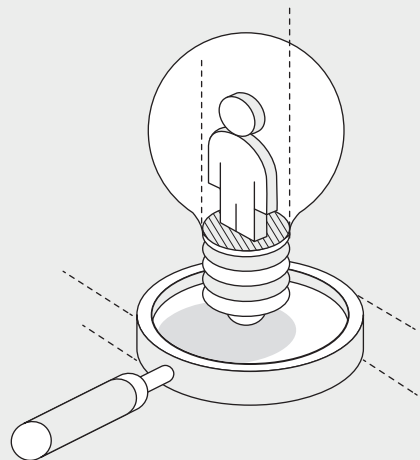


You will have the opportunity to find suitable candidates through a formal recruitment process, and potentially extend full-time employment to students who are a good fit to your company.

Taking place during the final graduating year, the IWSP's strategic timing allows suitable students equipped with relevant work experience and training gained during IWSP, to seamlessly continue their employment at your organisation immediately after graduation.

The IWSP puts diverse talents within reach so your organisation can benefit from a new generation of ideas and fresh perspectives.

Be our strategic partner and play a critical role in shaping and developing the kind of talent your industry needs.



Are you ready to get involved?

INTEGRATED WORK STUDY PROGRAMME (IWSP) SCHEDULE

SINGAPORE INSTITUTE OF TECHNOLOGY

Programmes by Industry	Degree Programmes	IWSP Schedule (2025)			
		Start Date	End Date	Duration	Back to Campus
Aerospace and Aviation	Aerospace Engineering [◆]	May 2025	Dec 2025	8 mths	6 days
	Air Transport Management	Sep 2025	Apr 2026	8 mths	6 days
	Aircraft Systems Engineering* (for Licensed Aircraft Engineer (LAE) only)	Jan 2025	Aug 2025	8 mths	-
Building and Infrastructure Engineering	Civil Engineering [◆]	May 2025	Dec 2025	8 mths	6 days
	Sustainable Built Environment	May 2025	Dec 2025	8 mths	6 days
Business and Management	Accountancy	Sep 2025	Apr 2026	8 mths	6 days
	Hospitality Business	May 2025	Dec 2026	8 mths	6 days
Chemical Engineering	Chemical Engineering ^{**}	May 2025	Apr 2026	12 mths	9 days
Design and Media	Digital Communications and Integrated Media	May 2025	Dec 2025	8 mths	6 days
Digital Supply Chain	Digital Supply Chain [#]	May 2025	Dec 2025	8 mths	6 days

These programmes are jointly conferred by SIT and:

^{*}DigiPen Institute of Technology ^{**}Massey University [▲]Newcastle University ^{**}Technical University of Munich

[◆]University of Glasgow

*Aircraft Systems Engineering (Maintenance, Repair & Overhaul (MRO) IWSP will commence only from May 2026 – Dec 2026

[#]This degree programme is eligible for the Integrated Workplace Learning (IWL). Refer to page 8 for more information.

INTEGRATED WORK STUDY PROGRAMME (IWSP) SCHEDULE

SINGAPORE INSTITUTE OF TECHNOLOGY

Programmes by Industry	Degree Programmes	New IWSP Schedule (2025)			
		Start Date	End Date	Duration	Back to Campus
Electrical and Electronics Engineering	Electrical Power Engineering [▲]	May 2025	Dec 2025	8 mths	6 days
	Electronics and Data Engineering [⌘]	May 2025	Apr 2026	12 mths	9 days
Food Technology	Food Technology [▪]	Sep 2025	Aug 2026	12 mths	9 days
Information and Digital Technology	Applied Artificial Intelligence	Sep 2025	Apr 2026	8 mths	6 days
	Applied Computing (Fintech) [#]	Jan 2025	Aug 2025	8 mths	6 days
	Computer Engineering [#]	May 2025	Dec 2025	8 mths	6 days
	Computer Science in Interactive Media and Game Development ⁺	May 2025	Apr 2026	12 mths	9 days
	Computer Science in Real-Time Interactive Simulation ⁺	May 2025	Apr 2026	12 mths	9 days
	Computing Science [◆]	Sep 2025	Apr 2026	8 mths	6 days
	Information and Communications Technology (Information Security)	May 2025	Apr 2026	12 mths	9 days
	Information and Communications Technology (Software Engineering)	May 2025	Apr 2026	12 mths	9 days

These programmes are jointly conferred by SIT and:

^{*}DigiPen Institute of Technology [▪]Massey University [▲]Newcastle University [⌘]Technical University of Munich

[◆]University of Glasgow

[#]This degree programme is eligible for the Integrated Workplace Learning (IWL). Refer to page 8 for more information.

INTEGRATED WORK STUDY PROGRAMME (IWSP) SCHEDULE

SINGAPORE INSTITUTE OF TECHNOLOGY

Programmes by Industry	Degree Programmes	New IWSP Schedule (2025)			
		Start Date	End Date	Duration	Back to Campus
Mechanical Engineering / Systems Engineering	Engineering Systems	May 2025	Dec 2025	8 mths	6 days
	Mechanical Design and Manufacturing Engineering [▲]	May 2025	Dec 2025	8 mths	6 days
	Mechanical Engineering [◆]	May 2025	Dec 2025	8 mths	6 days
	Mechatronics Systems [†]	Sep 2025	Aug 2026	12 mths	9 days
	Robotics Systems [#]	Jan 2025	Dec 2025	12 mths	9 days
Pharmaceutical Engineering	Pharmaceutical Engineering	Jan 2025	Dec 2025	12 mths	9 days
Transport Engineering	Naval Architecture and Marine Engineering [▲]	May 2025	Dec 2025	8 mths	6 days

These programmes are jointly conferred by SIT and:

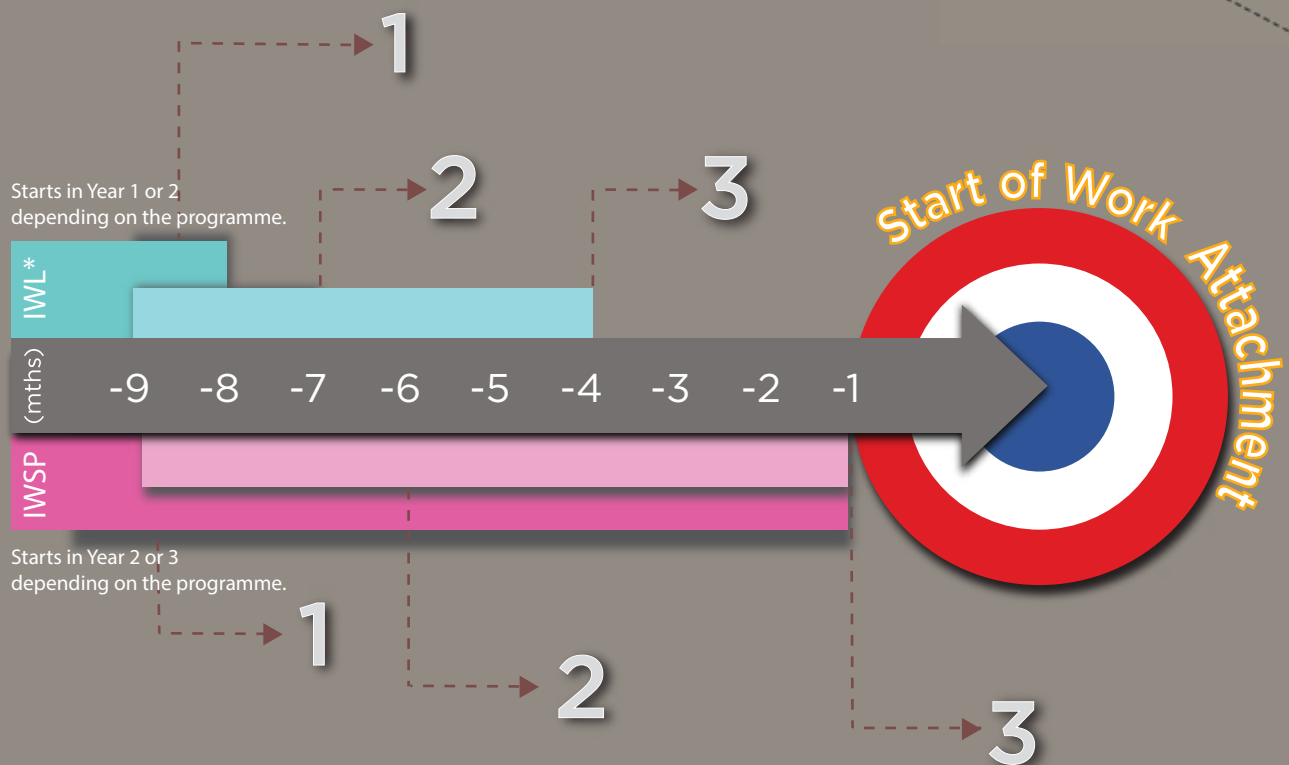
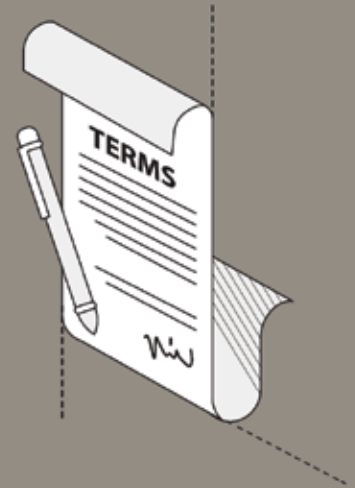
[†]DigiPen Institute of Technology [■]Massey University [▲]Newcastle University [⊗]Technical University of Munich

[◆]University of Glasgow

[#]This degree programme is eligible for the Integrated Workplace Learning (IWL). Refer to page 8 for more information.

WORK ATTACHMENT HIRING PROCESS

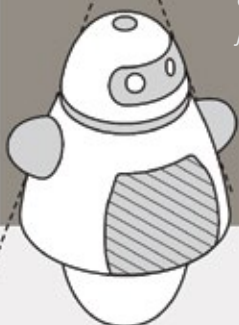
We will work with you to craft an effective job description that meets the students' learning outcomes, while effectively contributing to your company's needs. Defined and meaningful job roles also serves as an assessment tool when deciding to extend full-time employment to the students after their IWL or IWSP.



1 On-going posting of positions by companies
on SIT's ReadyTalent job portal.

2 On-going students' application, interviews with companies and job offer/acceptance.
Students will apply for job positions and interviews will be conducted during this period.

3 End of work attachment application.
All students should have secured an IWSP position.



readytalent2.singaporetech.edu.sg



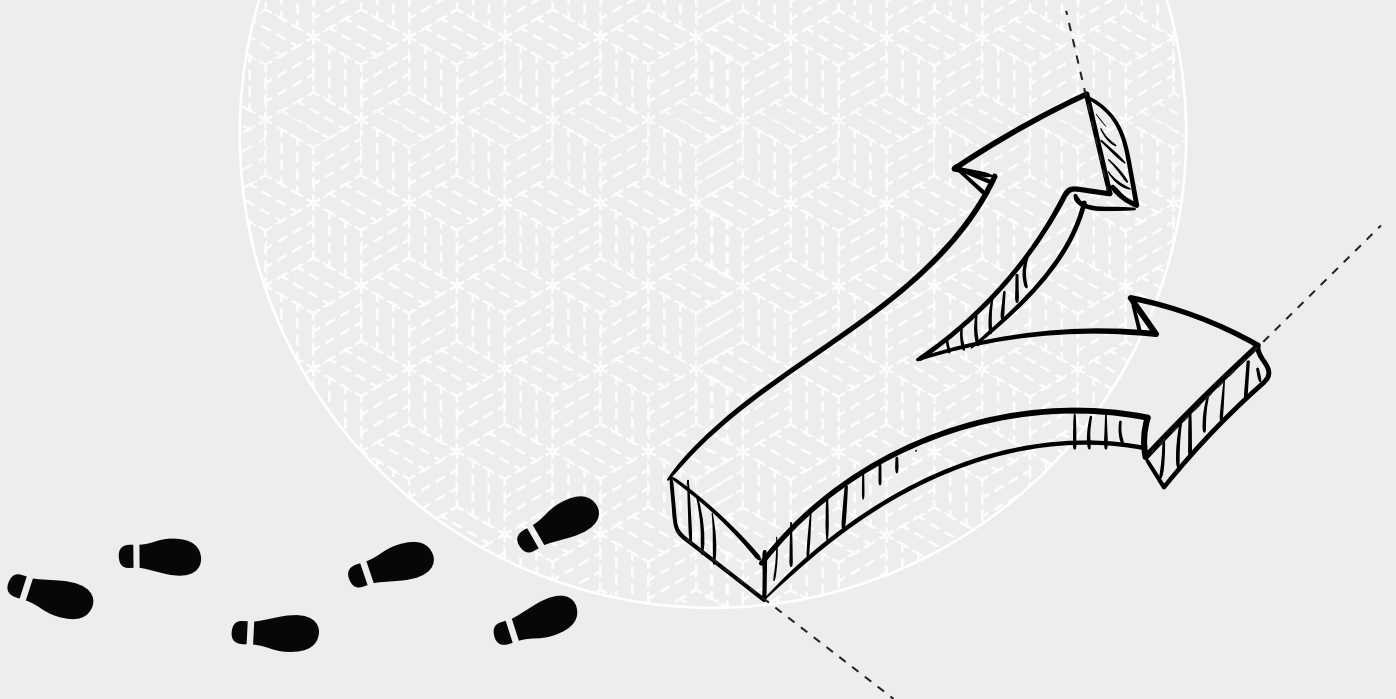
EXTENDED INTEGRATED WORKPLACE LEARNING FOR A STRONGER, SKILLED WORKFORCE

The work-study degree is an integration of institution-based learning and structured on-the-job training, facilitating students' transition to the workplace under the Term-In/Term-Out (TI/TO) model.

Students alternate spending time in the university and at the workplace via two work attachment types - Integrated Workplace Learning (IWL) and IWSP.

The Term-In/Term-Out (TITO) format incorporating IWL and IWSP is applicable to the following programmes:

- Bachelor of Science with Honours in Applied Computing (Fintech)
- Bachelor of Engineering with Honours in Computer Engineering
- Bachelor of Engineering with Honours in Digital Supply Chain
- Bachelor of Engineering with Honours in Robotics Systems



Programme Schedule Example

For a 3-year work-study degree*:

	Tri 1	Tri 2	Tri 3
Year 1	Study	Study	IWL
Year 2	Study	Study	IWSP
Year 3	IWSP	Study	

For a 4-year work-study degree*:

	Tri 1	Tri 2	Tri 3
Year 1	Study	Study	IWL
Year 2	Study	Study	IWL
Year 3	Study	Study	IWSP
Year 4	IWSP	Study	

- Integrated Workplace Learning (IWL) | Duration: 3.5 mths to 4 mths**
 Credit-bearing work attachment for students to understand companies' cultures and business functions.
- Integrated Work Study Programme (IWSP) | Duration: 8 to 12 mths**
 Credit-bearing work attachment for transfer of learning at the workplace.

*Some work-study degrees may have slight variation in its curriculum structure.

FAQS

What is expected of a Work Supervisor?



The Work Supervisor assigned by your company will mentor and guide the student and assess their work performance.

Is CPF contribution payable to the student?



The IWSP allowance is exempted from CPF contributions.

Why are students required to return to campus for a few days amidst their IWSP?



Students are required to return to campus for compulsory sessions and consultations with their academic supervisors to keep their progress in check. Students also undergo workshops to enhance their skills and knowledge which they can apply and value-add in the workplace.

Is there any grant to support employers hiring IWSP student?



Yes, support for small and medium-sized enterprises (SME) is available by the Global Ready Talent (GRT) programme under Enterprise Singapore.

For more information on GRT, please visit beglobalready.gov.sg/



Centre for Career Readiness

10 Dover Drive Singapore 138683



6592 8150



CareerReadiness@
SingaporeTech.edu.sg